

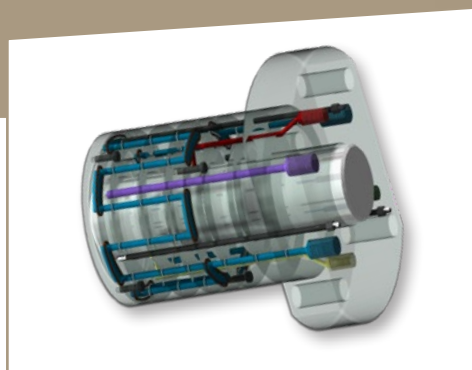
EXCITE

THE HOERBIGER PIONEER CLASS



SCC packing case

Keeps packing rings cool



CHALLENGE
YOUR
HORIZON

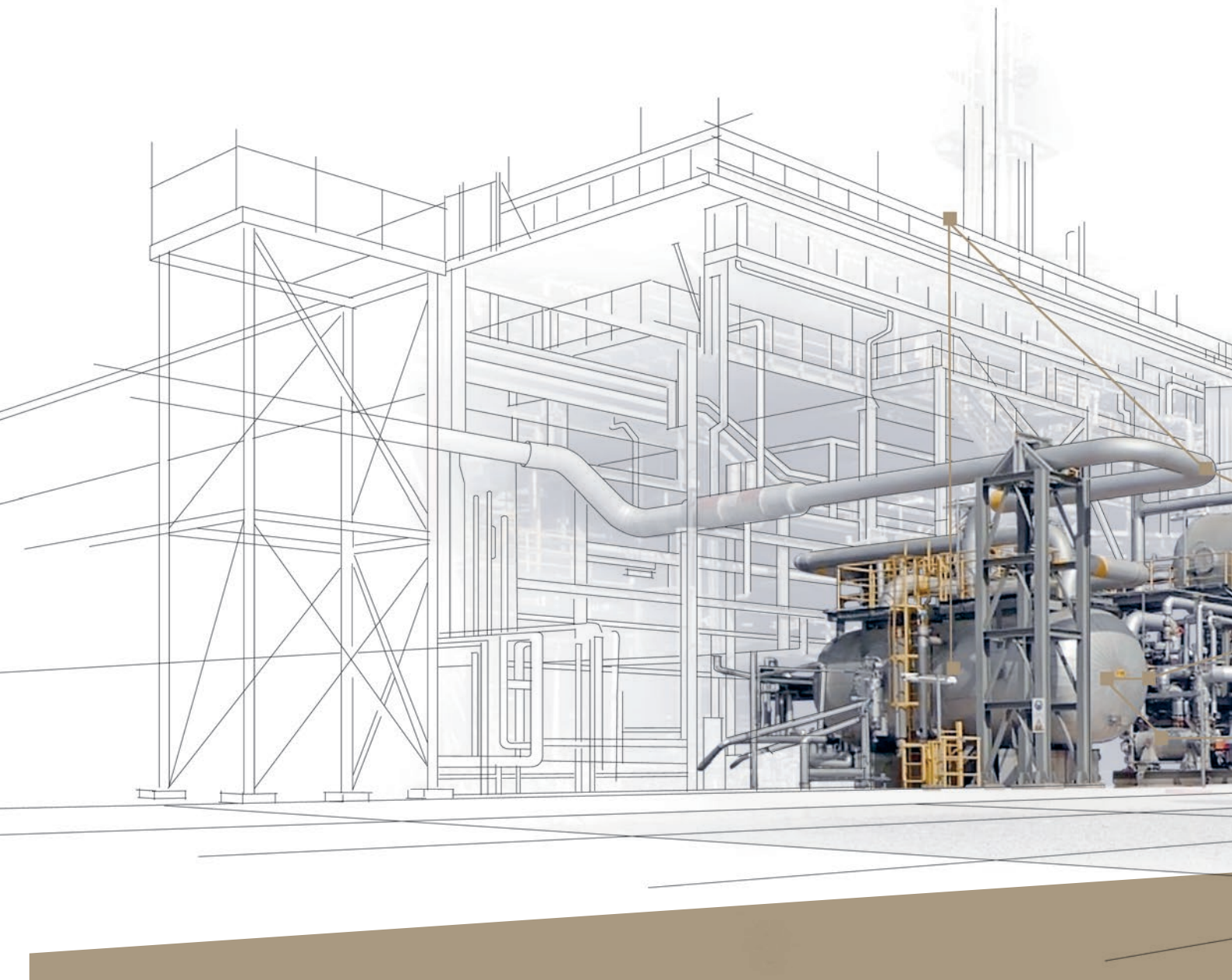

HOERBIGER
because performance counts

EXCITE

THE HOERBIGER PIONEER CLASS

Managing does not imply doing it alone. Rather, it means knowing whom to entrust with important tasks.

Those with an overwhelming concern for detail run the risk of losing sight of the big picture. This does not imply that minor details are insignificant. Successful management, however, requires delegating tasks to experts. As a customer, you develop integrated solutions jointly with HOERBIGER. Technology and service complement each other, forming a comprehensive package that meets the needs and challenges of modern companies. This includes, above all, avoiding downtime, costly production losses, and knock-on problems for other parts of the manufacturing operation. You decide individually in favor of tailor-made HOERBIGER warranty versions and service options. This makes HOERBIGER Excite the ideal approach to critical, sensitive, and challenging business situations.



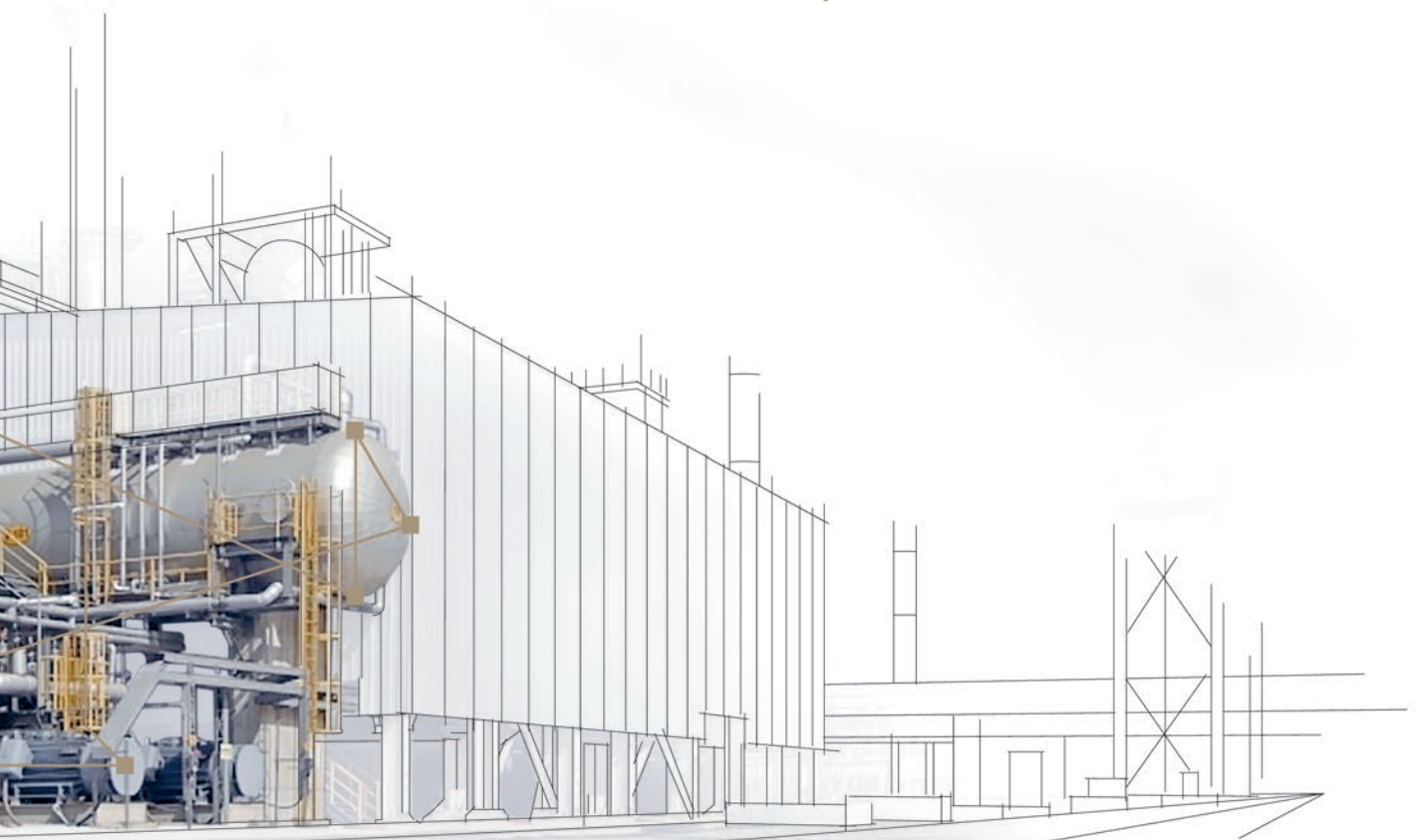


“In general, it is not management’s objective to question the why and the how, but to see to it that a task is resolved. Being aware of this need, HOERBIGER works with leading industrial enterprises worldwide in perfect symbiosis – partnerships that value and trust in the expertise of the other party in its field.”

Precise: optimized performance

Sustainable: use of savings potential

Quick: return on investment



**CHALLENGE
YOUR
HORIZON**

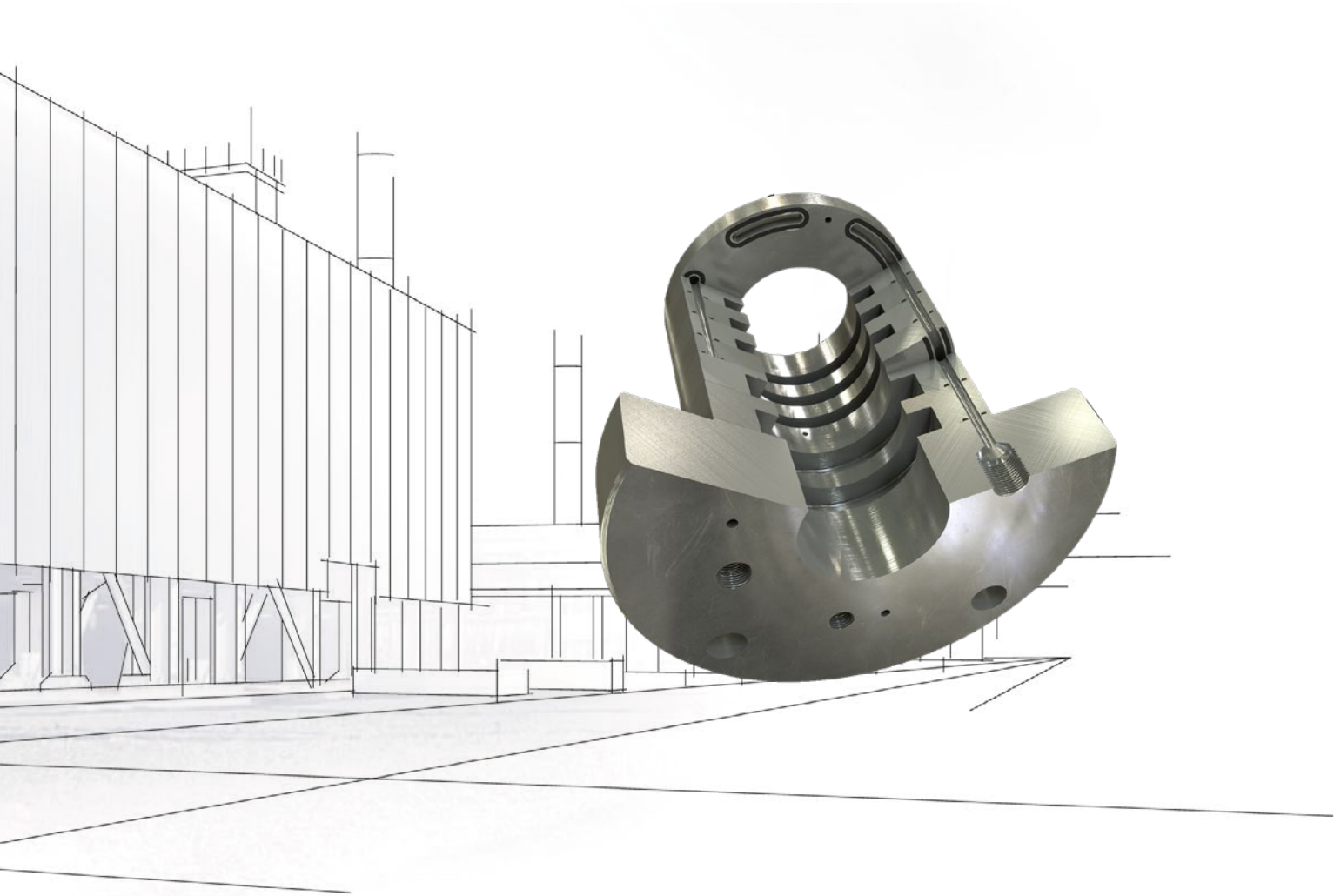
EXCITE

THE HOERBIGER PIONEER CLASS

You demand top performance, and rightly so.
With HOERBIGER, you can create the conditions
for success.

Thanks to the HOERBIGER SCC packing case,
your compressor will deliver top performance,
while keeping cool.

Dissipating friction and compression heat reliably and continuously is a challenge in the production and transport of natural gas.
There is a reliable solution.



HOERBIGER SCC packing case systems

Stable operation even under challenging circumstances is one of the key requirements for high equipment uptime and customer satisfaction. The goal is to minimize any issues that could jeopardize continuous operation.

This includes dissipating heat generated by packing rings. Cooled packings require less frequent replacement, and cooled piston rod packings are more durable.

Proven design

for all compressor types.

So when it comes to minimizing unplanned downtime, considerably reducing costs, and ensuring reliable, stable production, SCC packing case systems made by HOERBIGER are a must.

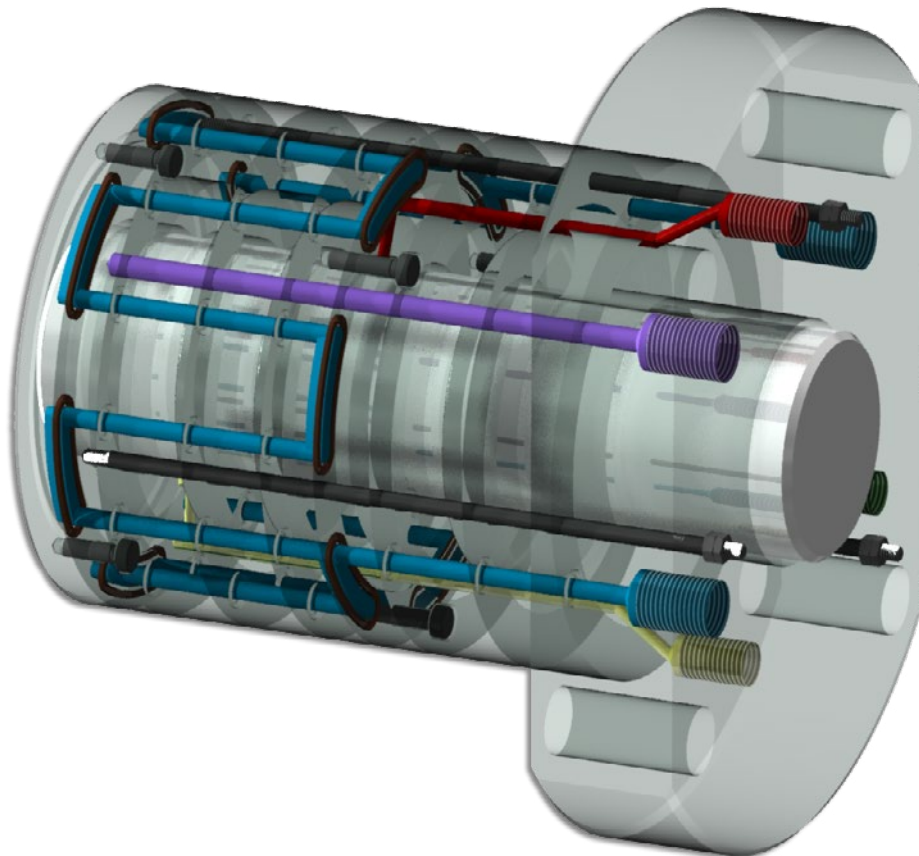
Large surface areas ensure rapid and reliable heat exchange.

Longitudinal cooling channels ensure reliable cooling, even with sub-optimal water quality.

SCC packing cases make maximum performance possible. Consistently.

HOERBIGER SCC packing case systems allow your compressor to push the envelope - while continuing to operate safely and reliably.

This is why HOERBIGER is an innovation partner for innovative companies.



CHALLENGE
YOUR
HORIZON

SCC packing case at a glance:

Cooled packing is providing all the benefits of the noncooled case plus it helps removing heat from the seals and rod by the use of internal passages that permit a constant coolant flow.



Highest reliability

- Case is designed without rod surrounding O-Rings and therefore in compliance with API618 requirements
- Patent protected design is proven to give a more even cooling effect versus traditional designs

Efficient and reliable operation

- The continuous longitudinal cooling channel is less prone to channel clogging
- Can be applied to most compressors and applications
- Available in different material qualities and can help you to standardize case layouts

Easy and inexpensive maintenance

- The entire packing is easy to be cleaned and serviced as every cooling channel can be accessed directly

Technical data of SCC packing case

Field of application	all markets sectors and all gases
Compressor speed	all compressor speeds
Lubrication	lube and especially non-lube
Maximum pressure	300 bar
Cylinder temperature range	-50°C to 300°C
Rod diameter	any rod diameter
Material quality	available in different material qualities

Most advanced and simple cooling design in the industry:

Best reliability in terms of channel clogging - Easy to replace - Easy to clean

Rod packing seals are contained in stacked cups to seal around the rod. This results in a “dead end” trap, hindering effective heat transfer. This heat needs to be removed quickly and efficiently, particularly at high temperature applications. The SCC solves this with very high surface area to transfer his heat to the coolant flow that passes through all the cups in the case. Thus, SCC is a problem solver,decreasing wear in packing cases used in refineries, chemical plants and other processing facilities.



CHALLENGE
YOUR
HORIZON

www.hoerbiger.com

HOERBIGER is active throughout the world as a leading player in the fields of compression technology, drive technology and hydraulics. In 2017, its 7,300 employees achieved sales of 1.173 billion euros. The HOERBIGER brand is synonymous with components and services providing high customer value in compressors, industrial engines and turbines, automotive drivetrains, and multifaceted mechanical engineering applications. HOERBIGER industrial safety and explosion mitigation solutions save lives and equipment. We set standards.

© HOERBIGER 2018

